

2.00mm (0.079") PITCH CONNECTOR

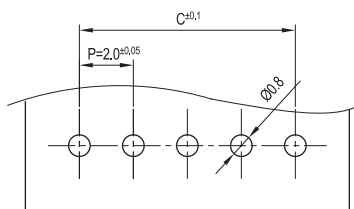
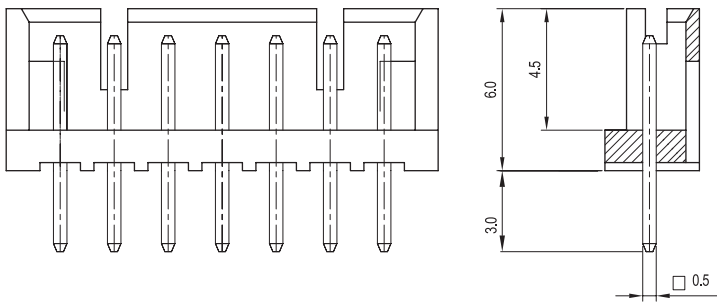
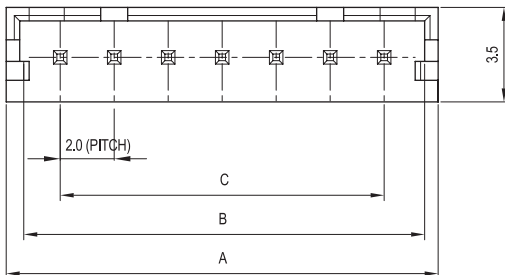
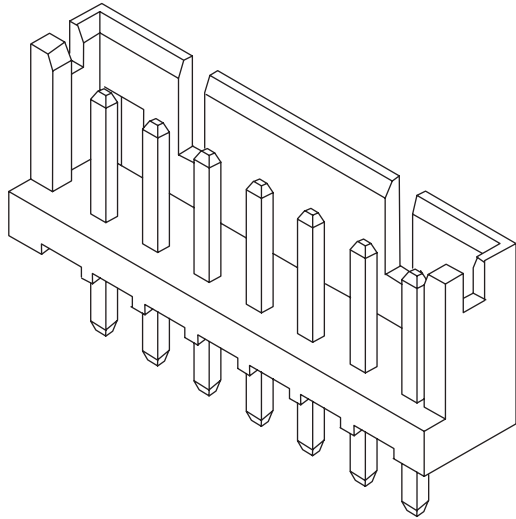


**Board-to-Board
Wafer**

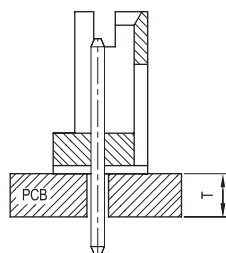
BMW200 Series

DIP

Straight



PCB LAYOUT



PCB ASS'Y

Material

I/NO	DESCRIPTION	TITLE	MATERIAL
1	WAFER	BMW200	PA66, UL 94V Grade
2	PIN		Brass & Tin-Plated

Available Pin

PARTS NO.	DIM. A	DIM. B	DIM. C
BMW200-02	6.0	5.2	2.0
BMW200-03	8.0	7.2	4.0
BMW200-04	10.0	9.2	6.0
BMW200-05	12.0	11.2	8.0
BMW200-06	14.0	13.2	10.0
BMW200-07	16.0	15.2	12.0
BMW200-08	18.0	17.2	14.0
BMW200-09	20.0	19.2	16.0
BMW200-10	22.0	21.2	18.0
BMW200-11	24.0	23.2	20.0
BMW200-12	26.0	25.2	22.0
BMW200-13	28.0	27.2	24.0
BMW200-14	30.0	29.2	26.0
BMW200-15	32.0	31.2	28.0
BMW200-16	34.0	33.2	30.0
BMW200-17	36.0	35.2	32.0
BMW200-18	38.0	37.2	34.0
BMW200-19	40.0	39.2	36.0
BMW200-20	42.0	41.2	38.0

Specification

ITEM	SPEC
Voltage Rating	AC/DC 250V
Current Rating	AC/DC 1.5A
Operating Temperature	-25°C~+85°C
Contact Resistance	30mΩ MAX
Withstanding Voltage	AC500V/1min
Insulation Resistance	1000MΩ MIN
Applicable Wire	-
Applicable P.C.B	1.2~1.6mm
Applicable FPC/FFC	-
Solder Height	-
Crimp Tensile Strength	-
UL FILE NO	E108706