

# 2.00mm (0.079") PITCH CONNECTOR

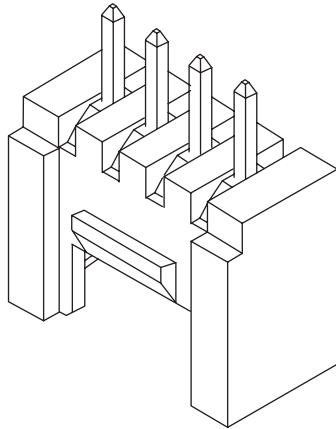


Wire-to-Board  
Wafer

SMW200 Series

DIP

Straight

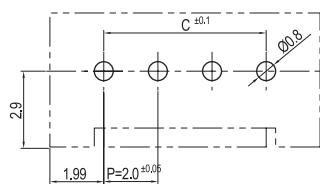
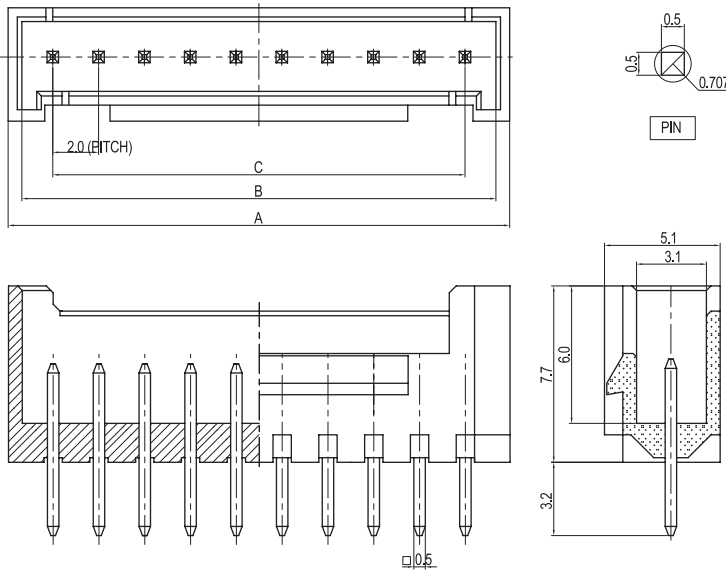


## Material

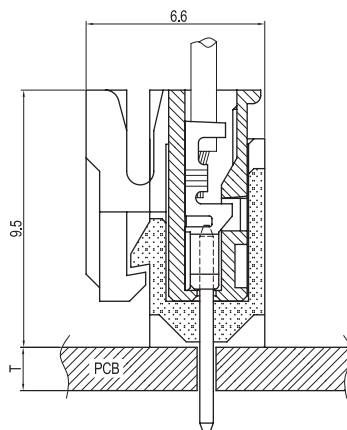
I/NO	DESCRIPTION	TITLE	MATERIAL
1	WAFER	SMW200	PA66, UL 94V Grade
2	PIN		Brass & Tin Plated

## Available Pin

PARTS NO.	A	B	C
SMW200-02P	5.98	4.75	2.0
SMW200-03P	7.98	6.75	4.0
SMW200-04P	9.98	8.75	6.0
SMW200-05P	11.98	10.75	8.0
SMW200-06P	13.98	12.75	10.0
SMW200-07P	15.98	14.75	12.0
SMW200-08P	17.98	16.75	14.0
SMW200-09P	19.98	18.75	16.0
SMW200-10P	21.98	20.75	18.0
SMW200-11P	23.98	22.75	20.0
SMW200-12P	25.98	24.75	22.0
SMW200-13P	27.98	26.75	24.0
SMW200-14P	29.98	28.75	26.0
SMW200-15P	31.98	30.75	28.0



PCB LAYOUT



PCB ASS'Y

## Specification

ITEM	SPEC
Voltage Rating	AC/DC 250V
Current Rating	AC/DC 3A
Operating Temperature	-25°C ~ +85°C
Contact Resistance	30mΩ MAX
Withstanding Voltage	AC1000V/1min
Insulation Resistance	1000MΩ MIN
Applicable Wire	-
Applicable P.C.B	1.2~1.6mm
Applicable FPC/FFC	-
Solder Height	-
Crimp Tensile Strength	-
UL FILE NO	E108706