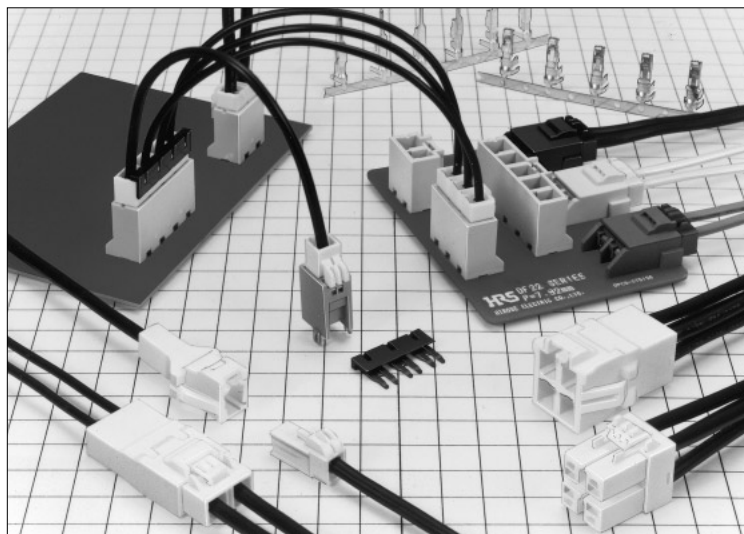


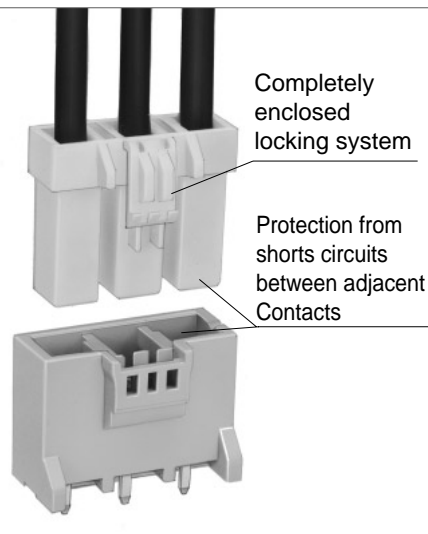
NEW

7.92 mm Contact Pitch, High-Current Connectors for Internal Power Supplies (UL, C-UL and TÜV Listed)

DF22 Series



Complete Locking Function

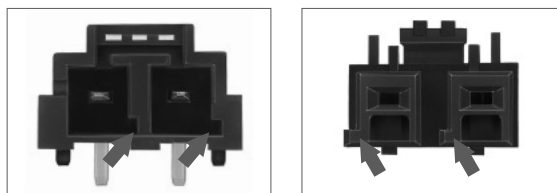


Features

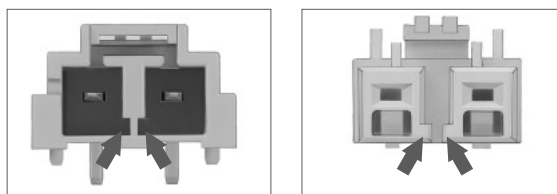
- 1. 30 A maximum current**
Single position connector can carry current of 30 A with #10 AWG conductor. Please refer to Table #1 for current ratings for multi-position connectors using other conductor sizes.
- 2. Complete Locking Function**
Reliable interior lock protects mated connectors from accidental disconnection.
- 3. Prevention of Incorrect Connections**
To prevent incorrect connection when using multiple connectors having the same Number of contacts, 3 product types having different mating configurations are available.
- 4. Molded-in contact retention tabs**
Handling of terminated contacts during the crimping is easier and avoids entangling of wires, since there are no protruding metal tabs.
- 5. Prevention of incorrect board placement**
Built-in posts assure correct connector placement and orientation on the board.
- 6. Supports encapsulation**
Connectors can be encapsulated up to 10 mm without affecting the performance.
- 7. Prevention of Short Circuits Between Adjacent Contacts**
Each Contact is completely surrounded by the insulator housing electrically isolating it from adjacent contacts.
- 8. Increased Retention Force of Crimped Contacts and confirmation of complete contact insertion**
Separate contact retainers are provided for applications where extreme pull-out forces may be applied against the wire or when a visual confirmation of the full contact insertion is required.
- 9. Full Line of Crimp Socket Contacts**
Realizing the market needs for multitude of different applications, Hirose has developed several variants of crimp socket contacts and housings. Continuous development is adding different variations. Contact your nearest Hirose Electric representative for latest developments.
- 10. In-line Connections**
Connectors can be ordered for in-line cable connections. In addition, assemblies can be placed next to each other allowing 4 position total (2 × 2) in a small space.
- 11. Listed by UL, C-UL, and TÜV.**

Prevention of Incorrect Connections

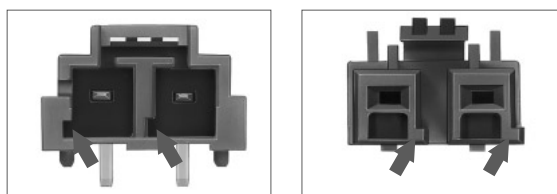
● R Type (Guide key: right side, Color: black)



● Standard Type (Guide key: inside, Color: natural)



● L Type (Guide key: left side, Color: red)



*The photographs on the left show header (the board dip side), the photographs on the right show the socket (cable side).

*The guide key position is indicated in position facing the mating surface of the header.

Applications

Office equipment, power supplies for industrial, medical and instrumentation applications, variety of consumer electronic, and electrical applications.

Product Specifications

Ratings	Current rating	Number of contacts	AWG10	AWG12	AWG14	AWG16	Operating temperature range	-35°C to 85°C (Note 1)		
		1	30A	25A	20A	15A			Operating humidity range	20% to 80%
		2	25A	20A	18A	15A	Storage temperature range	-10°C to 60°C (Note 2)		
		3	25A	20A	18A	15A			Storage humidity range	40% to 70% (Note 2)
		4	22A	18A	15A	13A				
	5	22A	18A	15A	13A	UL/C-UL/TÜV	File No. and Recognition No.			
	Voltage rating	Specification		AC/DC	1000V			UL	: E52653	
		UL/C-UL		AC/DC	600V			C-UL	: E52653	
		TÜV		AC/DC	600V	TÜV	: R9950703			

Item	Specification	Condition
1. Contact resistance	Contact resistance(Initial value): 5 m ohms max.	20mV max., 1mA
2. Insulator resistance	1000 M ohms min.	1000 V DC
3. Withstanding voltage	No flashover or Insulator breakdown	2500 V AC for 1 minute
4. Insertion-Extraction force (per contact)	0.3N min., 5N max.	Measured with a steel pin of 1.6 x 0.8 ± 0.002 thickness
5. Durability (mating/unmating)	Contact resistance of 10 m ohms max.	30 cycles
6. Vibration	No electrical discontinuity of 1 μs. min.	Frequency 10 to 55 Hz, single amplitude of 0.75 mm, 3 axis, duration of 2 hours
7. Shock	No electrical discontinuity of 1 μs. min.	Acceleration of 490 m/s ² , 11 ms duration, sine half-wave waveform, 3 cycles in each of the 3 axis.
8. Humidity	Contact resistance 10 m ohms max.	Temperature 40°C ± 2°C, 90% to 95% RH, 96 hours
9. Temperature cycle	Contact resistance of 10 m ohms max.	(-55°C: 30 minutes→ 5 to 35°C: 5 minutes→85°C: 30 minutes→5 to 35°C: 5 minutes) for 5 cycles
10. Resistance to Soldering heat	No deformation of the insulator parts affecting performance	Re-flow solder temperature 250°C, for 10 seconds Manual soldering: Soldering iron temperature 300°C, 3 seconds

Note 1: Current rating of header is 30A (1 pos.) and 25A (2 to 5 pos.)

Note 2: Includes temperature rise caused by the current flow.

Note 3: The term "storage" refers to products stored for long period of time prior to mounting and use. Operating Temperature Range and Humidity range covers non- conducting condition of installed connectors in storage, shipment or during transportation.

Materials

Product	Part	Material	Finish	Remarks
Sockets	Insulator	Polyamide	Color: Natural white (Note 1)	UL94V-0
Crimp contacts	Contacts	High conductivity copper alloy	Tin-lead plated (Note 2)	—
Headers	Insulator	Polyamide (Glass reinforced)	Color: Natural beige (Note 1)	UL94V-0
	Contacts	High conductivity copper alloy	Tin-lead plated (Note 2)	—

Note 1: Standard Color, colors of the differing coupling forms are black for DF22R and red for DF22L.

Note 2: Hirose Electric's plating incorporate anti-whisking compounds.

Ordering Information

Socket, Header

DF22 B L - 2 S - 7.92 C

① ② ③ ④ ⑤ ⑥ ⑦

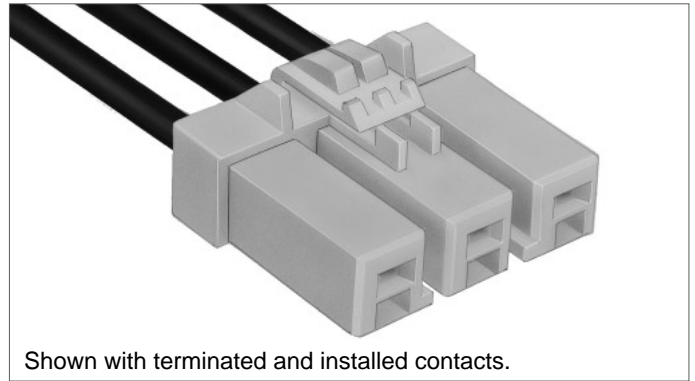
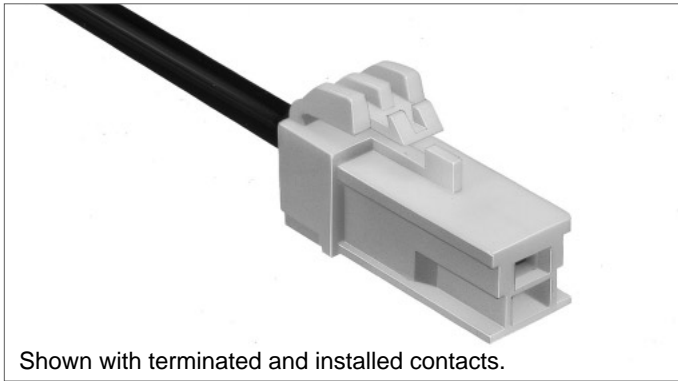
Contacts

DF22 A - 1416 SCF

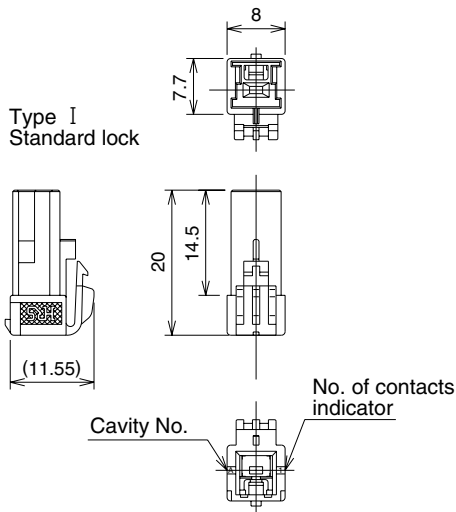
① ⑧ ⑨ ⑩

① Series name: DF22	④ Number of contacts : 1 to 5	⑧ Applicable Cable Blank : UL1430 A : UL1015
② Form Type Sockets Blank : Standard height, standard lock (Type I) B : Long type, standard lock (Type III) C : Long type, ergonomic lock (Type IV) In-line Plugs Blank : With panel stop A : Without panel stop	⑤ Connector type S : Socket DS : Double-row socket P : Header EP : In-line plug DEP : Double-row in-line plug RS/P : Retainer	
③ Guide key type Blank : Inside (Color: natural) R : Right side (Color: black) L : Left side (Color: red)	⑥ Contact pitch : 7.92 mm	⑩ Packaging SCF : Socket contacts / Reel SC : Socket contacts / Bag PCF : In-line plug contacts / Reel PC : In-line plug contacts / Bag
	⑦ Type of housing C : Crimp housing DSA : Straight header DS : Right-angle header No letter : Retainer	

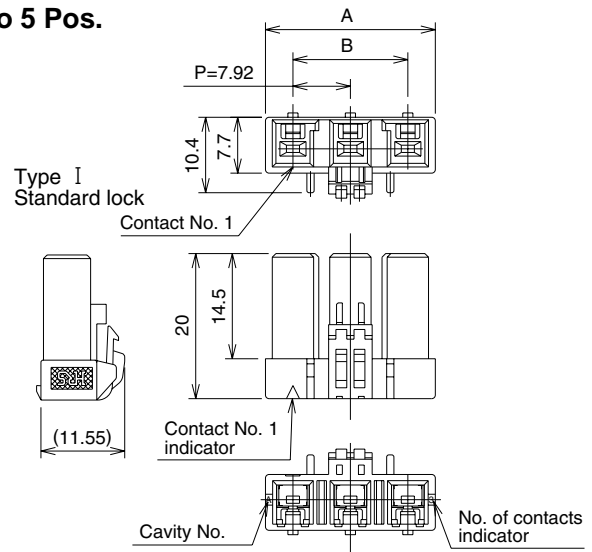
■ Crimp Sockets (Standard Type)



1 Pos.



2 to 5 Pos.



■ Type I

Height: Standard type, Standard lock

Note: The part number and CL No. have changed to accommodate the product form change of the 2 to 5 pos. types.

Standard Type (Guide Key: Inside, Color: White)

Part Number	CL No.	Number of contacts	A	B
DF22-1S-7.92C(28)	680-1012-2-28	1	8.00	—
DF22-2S-7.92C(28)	680-1004-4-28	2	15.50	7.92
DF22-3S-7.92C(28)	680-1005-7-28	3	23.42	15.84
DF22-4S-7.92C(28)	680-1006-0-28	4	31.34	23.76
DF22-5S-7.92C(28)	680-1007-2-28	5	39.26	31.68

R Type (Guide Key: Right Side, Color: Black)

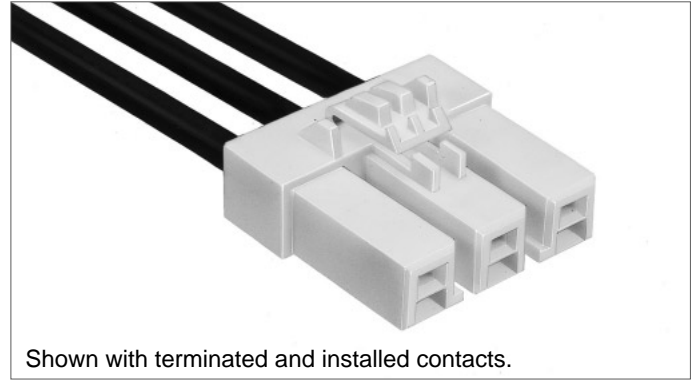
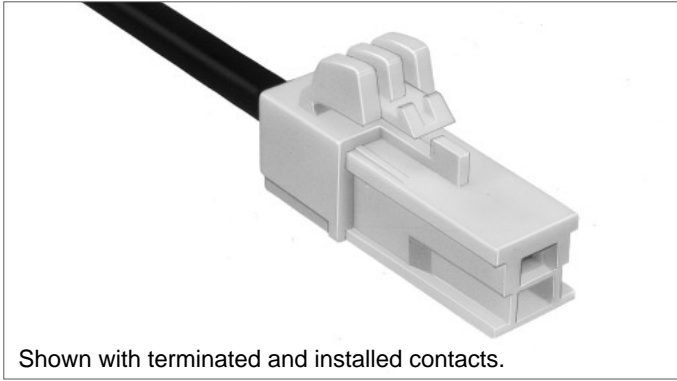
Part Number	CL No.	Number of contacts	A	B
DF22R-1S-7.92C(28)	680-1026-7-28	1	8.00	—
DF22R-2S-7.92C(28)	680-1027-0-28	2	15.50	7.92
DF22R-3S-7.92C(28)	680-1028-2-28	3	23.42	15.84
DF22R-4S-7.92C(28)	680-1029-5-28	4	31.34	23.76
DF22R-5S-7.92C(28)	680-1030-4-28	5	39.26	31.68

L Type (Guide Key: Left Side, Color: Red)

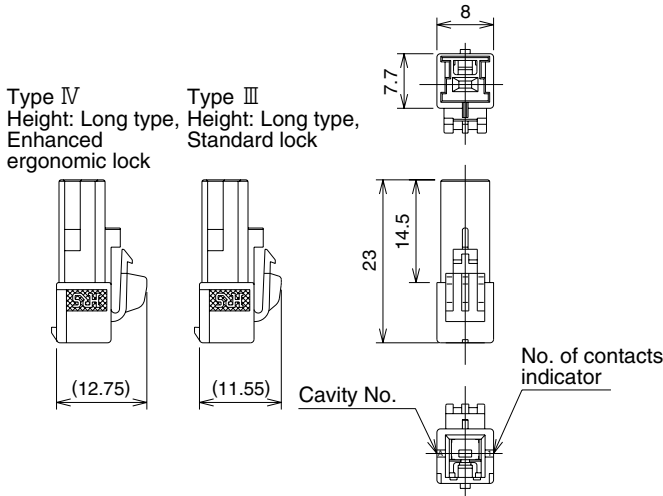
Part Number	CL No.	Number of contacts	A	B
DF22L-1S-7.92C(28)	680-1031-7-28	1	8.00	—
DF22L-2S-7.92C(28)	680-1032-0-28	2	15.50	7.92
DF22L-3S-7.92C(28)	680-1033-2-28	3	23.42	15.84
DF22L-4S-7.92C(28)	680-1034-5-28	4	31.34	23.76
DF22L-5S-7.92C(28)	680-1035-8-28	5	39.26	31.68

Note: Bag packaging (100 pieces/bag). Order by number of bags.

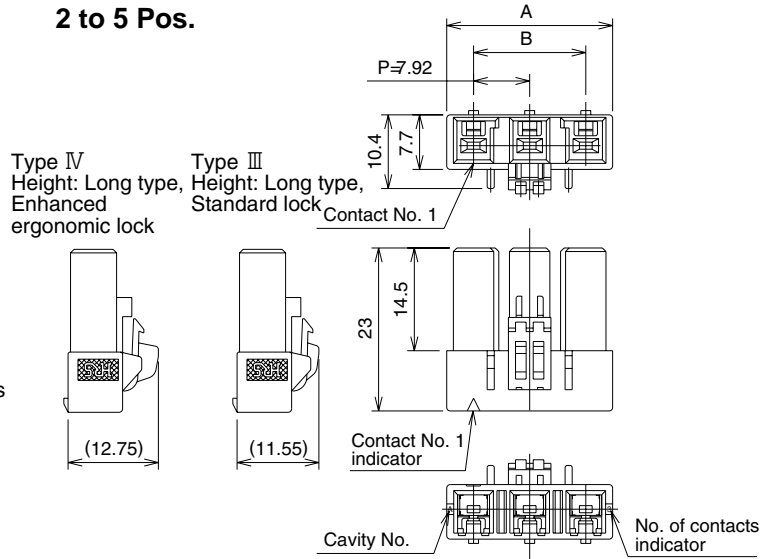
■ Crimp Sockets (Height, Long Type)



1 Pos.



2 to 5 Pos.



■ Type III

Height: Long type, Standard lock

■ Type IV

Height: Long type, Enhanced ergonomic lock

Standard Type (Guide Key: Inside, Color: White)

Part Number	CL No.	Number of contacts	A	B
DF22B-1S-7.92C	680-1096-2	1	8.00	—
DF22B-2S-7.92C	680-1097-5	2	15.50	7.92
DF22B-3S-7.92C	680-1098-8	3	23.42	15.84
DF22B-4S-7.92C	680-1099-0	4	31.34	23.76
DF22B-5S-7.92C	680-1100-8	5	39.26	31.68

Standard Type (Guide Key: Inside, Color: White)

Part Number	CL No.	Number of contacts	A	B
DF22C-1S-7.92C	680-1101-0	1	8.00	—
DF22C-2S-7.92C	680-1102-3	2	15.50	7.92
DF22C-3S-7.92C	680-1103-6	3	23.42	15.84
DF22C-4S-7.92C	680-1104-9	4	31.34	23.76
DF22C-5S-7.92C	680-1105-1	5	39.26	31.68

R Type (Guide Key: Right Side, Color: Black)

Part Number	CL No.	Number of contacts	A	B
DF22BR-1S-7.92C	Reserved for product expansion	1	8.00	—
DF22BR-2S-7.92C		2	15.50	7.92
DF22BR-3S-7.92C		3	23.42	15.84
DF22BR-4S-7.92C		4	31.34	23.76
DF22BR-5S-7.92C		5	39.26	31.68

R Type (Guide Key: Right Side, Color: Black)

Part Number	CL No.	Number of contacts	A	B
DF22CR-1S-7.92C	Reserved for product expansion	1	8.00	—
DF22CR-2S-7.92C		2	15.50	7.92
DF22CR-3S-7.92C		3	23.42	15.84
DF22CR-4S-7.92C		4	31.34	23.76
DF22CR-5S-7.92C		5	39.26	31.68

L Type (Guide Key: Left Side, Color: Red)

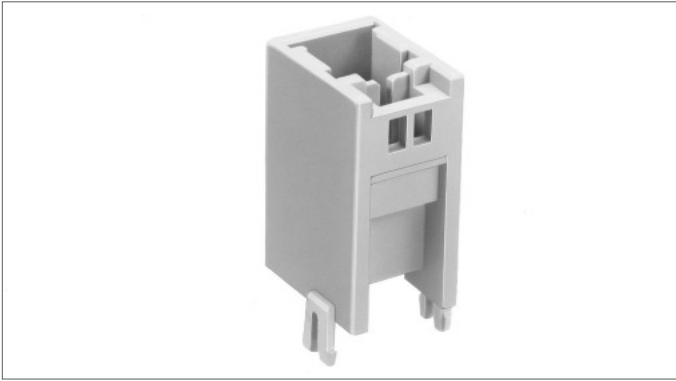
Part Number	CL No.	Number of contacts	A	B
DF22BL-1S-7.92C	Reserved for product expansion	1	8.00	—
DF22BL-2S-7.92C		2	15.50	7.92
DF22BL-3S-7.92C		3	23.42	15.84
DF22BL-4S-7.92C		4	31.34	23.76
DF22BL-5S-7.92C		5	39.26	31.68

L Type (Guide Key: Left Side, Color: Red)

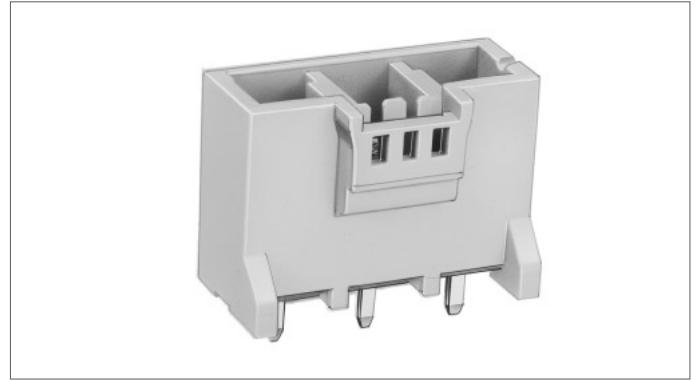
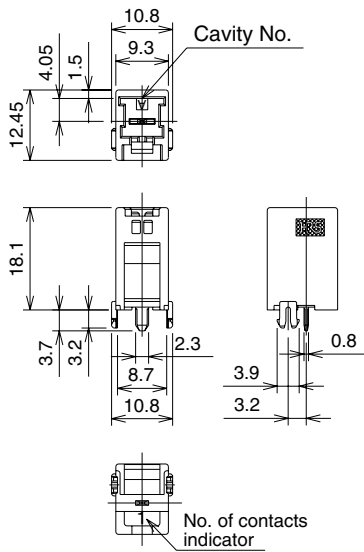
Part Number	CL No.	Number of contacts	A	B
DF22CL-1S-7.92C	Reserved for product expansion	1	8.00	—
DF22CL-2S-7.92C		2	15.50	7.92
DF22CL-3S-7.92C		3	23.42	15.84
DF22CL-4S-7.92C		4	31.34	23.76
DF22CL-5S-7.92C		5	39.26	31.68

Note: Bag packaging (100 pieces/bag). Order by number of bags.

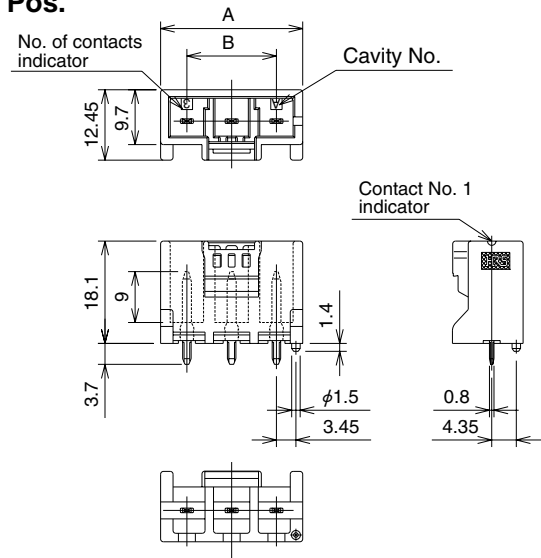
■ Straight header



1 Pos.



2 to 5 Pos.

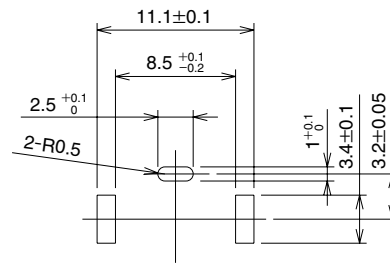


◆ PCB mounting pattern (Board thickness: 1.6 ± 0.1)

Standard Type (Guide Key: Inside, Color: Natural Beige)

Part Number	CL No.	Number of contacts	A	B
DF22-1P-7.92DSA	680-1013-5	1	10.08	—
DF22-2P-7.92DSA	680-1014-8	2	17.22	7.92
DF22-3P-7.92DSA	680-1015-0	3	25.14	15.84
DF22-4P-7.92DSA	680-1016-3	4	33.06	23.76
DF22-5P-7.92DSA	680-1017-6	5	40.98	31.68

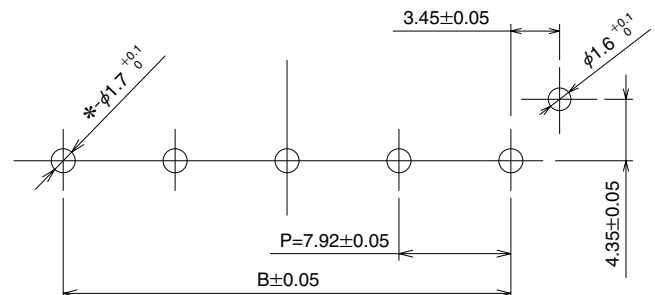
1 Pos.



R Type (Guide Key: Right Side, Color: Black)

Part Number	CL No.	Number of contacts	A	B
DF22R-1P-7.92DSA	680-1036-0	1	10.08	—
DF22R-2P-7.92DSA	680-1037-3	2	17.22	7.92
DF22R-3P-7.92DSA	680-1038-6	3	25.14	15.84
DF22R-4P-7.92DSA	680-1039-9	4	33.06	23.76
DF22R-5P-7.92DSA	680-1040-8	5	40.98	31.68

2 to 5 Pos.

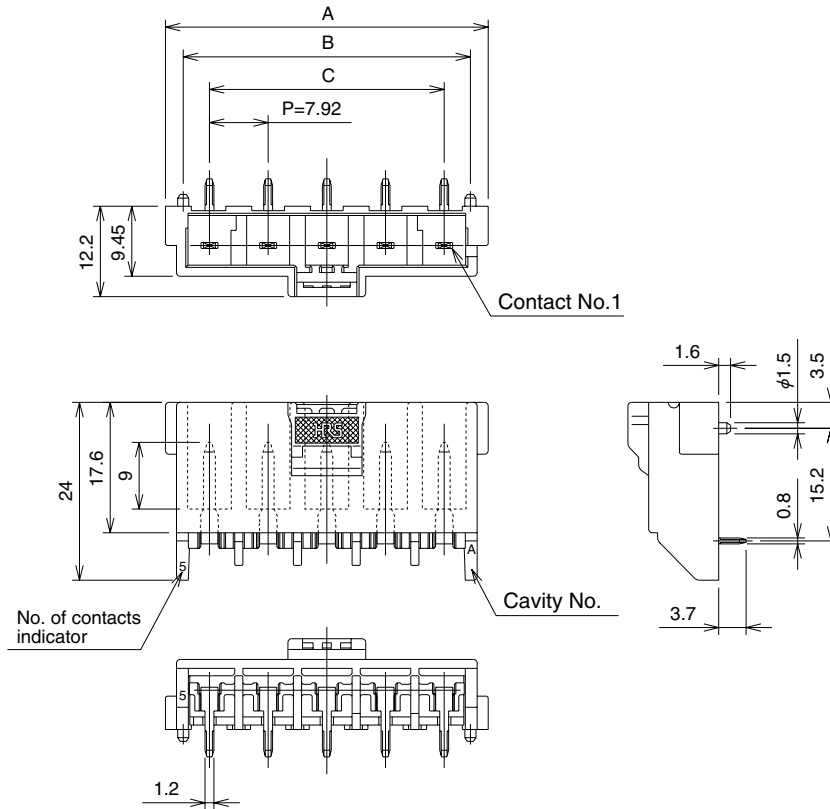
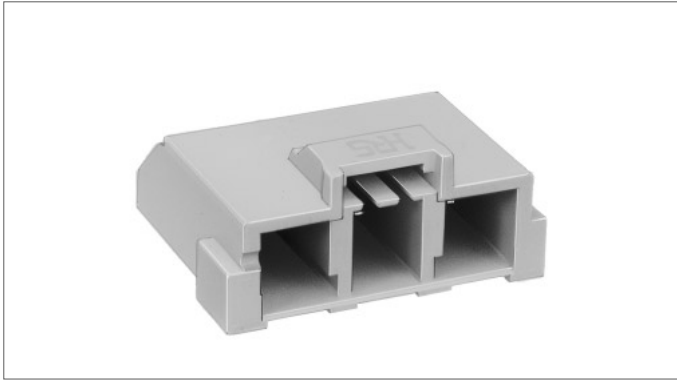


L Type (Guide Key: Left Side, Color: Red)

Part Number	CL No.	Number of contacts	A	B
DF22L-1P-7.92DSA	680-1041-0	1	10.08	—
DF22L-2P-7.92DSA	680-1042-3	2	17.22	7.92
DF22L-3P-7.92DSA	680-1043-6	3	25.14	15.84
DF22L-4P-7.92DSA	680-1044-9	4	33.06	23.76
DF22L-5P-7.92DSA	680-1045-1	5	40.98	31.68

Note: Bag packaging (100 pieces/bag). Order by number of bags.

■Right angle header



Standard Type (Guide Key: Inside, Color: Natural Beige)

Part Number	CL No.	Number of contacts	A	B	C
DF22-2P-7.92DS	680-1008-5	2	19.80	15.00	7.92
DF22-3P-7.92DS	680-1009-8	3	27.72	22.92	15.84
DF22-4P-7.92DS	680-1010-7	4	35.64	30.84	23.76
DF22-5P-7.92DS	680-1011-0	5	43.56	38.76	31.68

R Type (Guide Key: Right Side, Color: Black)

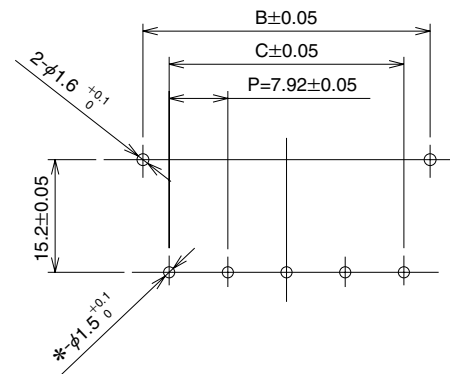
Part Number	CL No.	Number of contacts	A	B	C
DF22R-2P-7.92DS	680-1018-9	2	19.80	15.00	7.92
DF22R-3P-7.92DS	680-1019-1	3	27.72	22.92	15.84
DF22R-4P-7.92DS	680-1020-0	4	35.64	30.84	23.76
DF22R-5P-7.92DS	680-1021-3	5	43.56	38.76	31.68

L Type (Guide Key: Left Side, Color: Red)

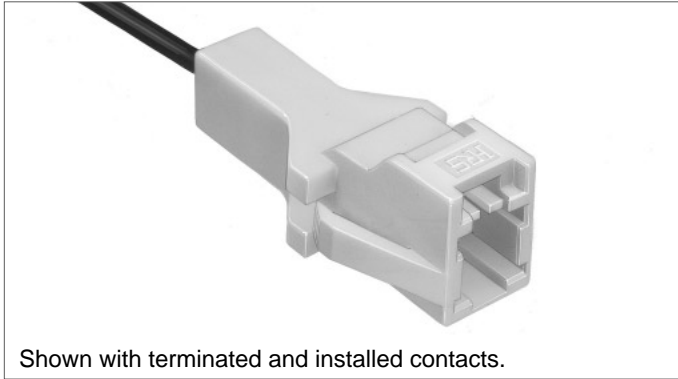
Part Number	CL No.	Number of contacts	A	B	C
DF22L-2P-7.92DS	680-1022-6	2	19.80	15.00	7.92
DF22L-3P-7.92DS	680-1023-9	3	27.72	22.92	15.84
DF22L-4P-7.92DS	680-1024-1	4	35.64	30.84	23.76
DF22L-5P-7.92DS	680-1025-4	5	43.56	38.76	31.68

Note: Bag packaging (100 pieces/bag). Order by number of bags.

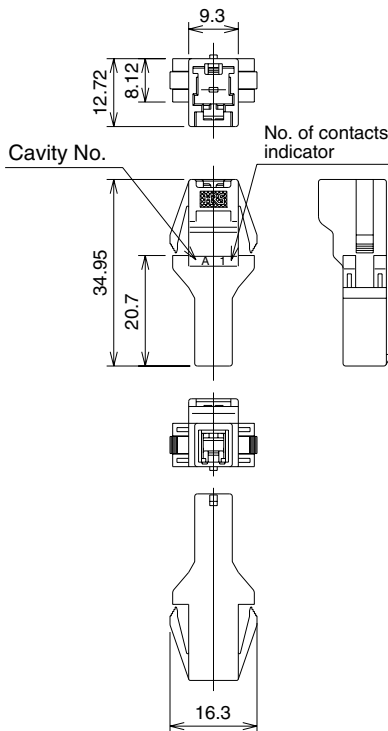
◆PCB mounting pattern (Board thickness: 1.6 ± 0.1)



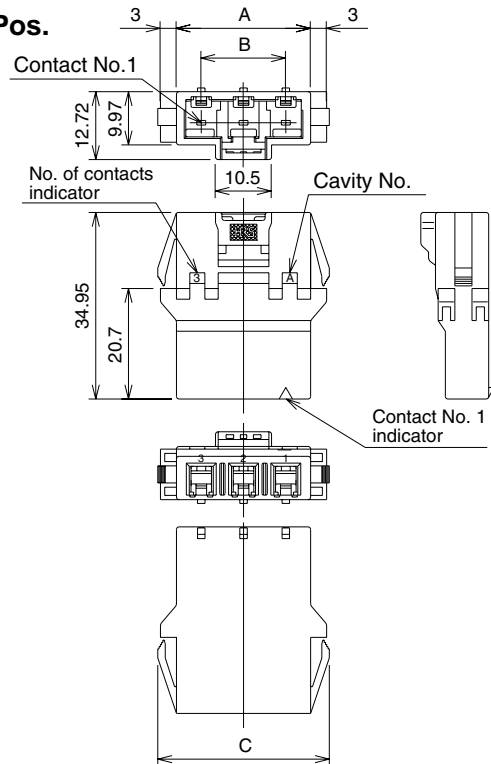
■ In-line plug (Panel lock type)



1 Pos.



2, 3 Pos.



Standard Type (Guide Key: Inside, Color: White)

Part Number	CL No.	Number of contacts	A	B	C
DF22-1EP-7.92C	680-1048-0	1	9.30	—	16.30
DF22-2EP-7.92C	680-1049-2	2	17.22	7.92	24.22
DF22-3EP-7.92C	680-1050-1	3	25.14	15.84	32.14

R Type (Guide Key: Right Side, Color: Black)

Part Number	CL No.	Number of contacts	A	B	C
DF22R-1EP-7.92C	Reserved for product expansion	1	9.30	—	16.30
DF22R-2EP-7.92C		2	17.22	7.92	24.22
DF22R-3EP-7.92C		3	25.14	15.84	32.14

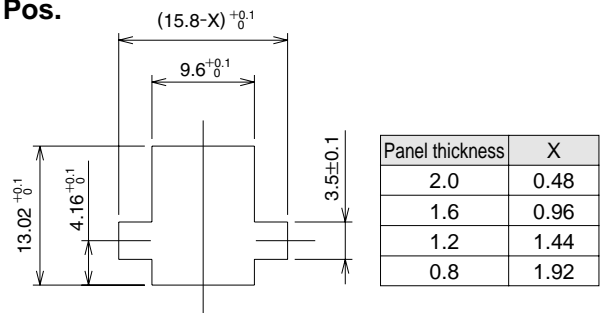
L Type (Guide Key: Left Side, Color: Red)

Part Number	CL No.	Number of contacts	A	B	C
DF22L-1EP-7.92C	Reserved for product expansion	1	9.30	—	16.30
DF22L-2EP-7.92C		2	17.22	7.92	24.22
DF22L-3EP-7.92C		3	25.14	15.84	32.14

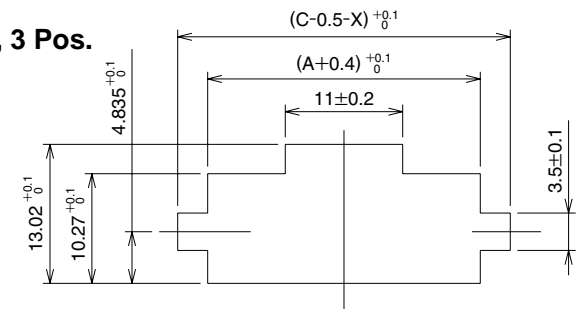
Note: Bag packaging (100 pieces/bag). Order by number of bags.

◆ Panel Cutout

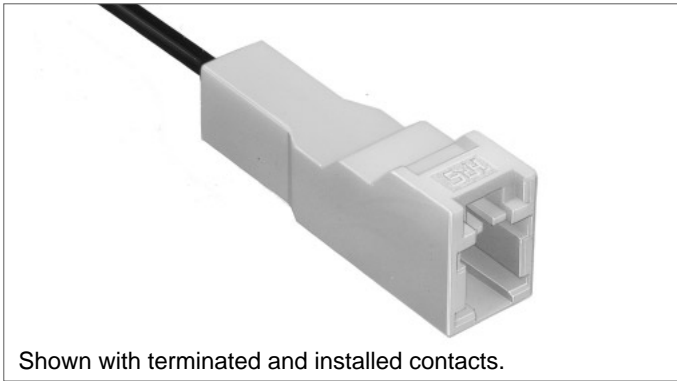
1 Pos.



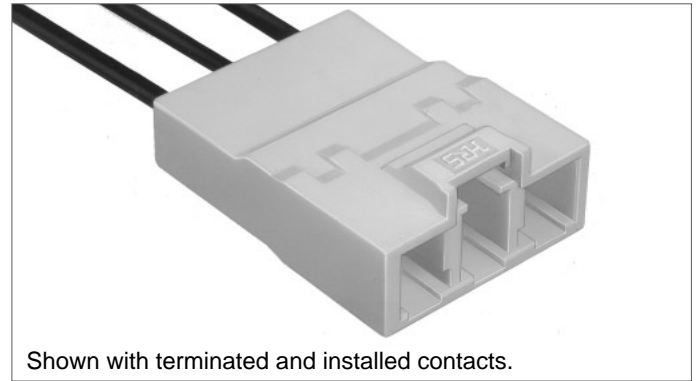
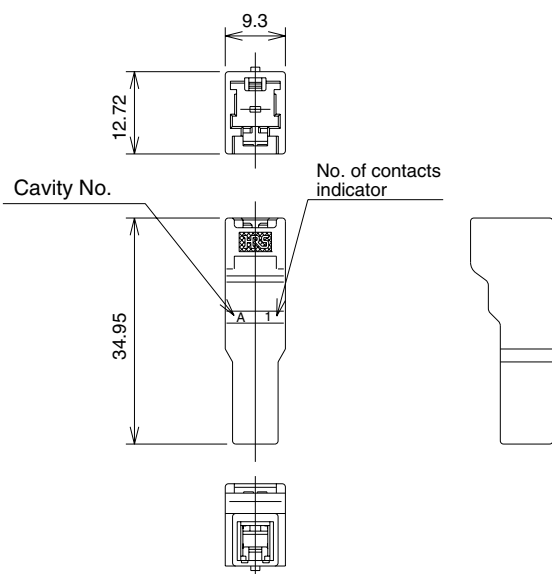
2, 3 Pos.



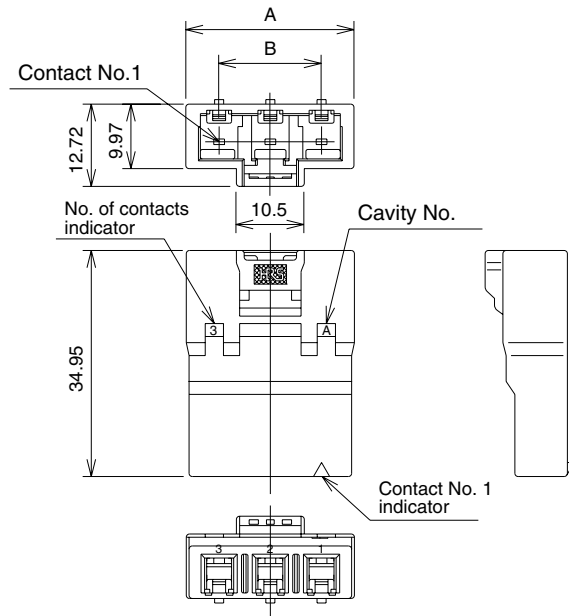
■ In-line Plug



1 Pos.



2, 3 Pos.



Standard Type (Guide Key: Inside, Color: Natural Beige)

Part Number	CL No.	Number of contacts	A	B
DF22A-1EP-7.92C	680-1053-0	1	9.30	—
DF22A-2EP-7.92C	680-1054-2	2	18.00	7.92
DF22A-3EP-7.92C	680-1055-5	3	26.00	15.84

R Type (Guide Key: Right Side, Color: Black)

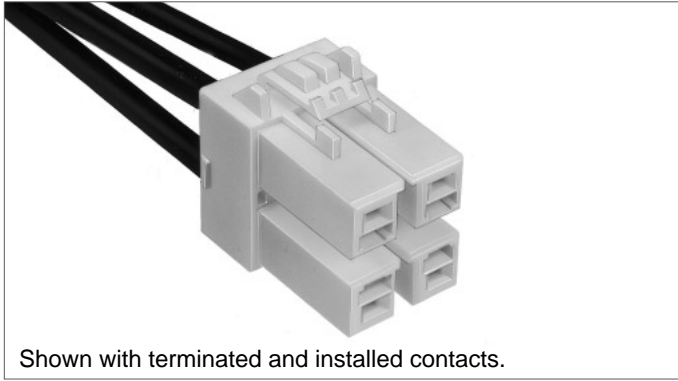
Part Number	CL No.	Number of contacts	A	B
DF22AR-1EP-7.92C	Reserved for product expansion	1	9.30	—
DF22AR-2EP-7.92C		2	18.00	7.92
DF22AR-3EP-7.92C		3	26.00	15.84

L Type (Guide Key: Left Side, Color: Red)

Part Number	CL No.	Number of contacts	A	B
DF22AL-1EP-7.92C	Reserved for product expansion	1	9.30	—
DF22AL-2EP-7.92C		2	18.00	7.92
DF22AL-3EP-7.92C		3	26.00	15.84

Note: Bag packaging (100 pieces/bag). Order by number of bags.

■ In-line Double-row socket



Standard Type (Guide Key: Inside, Color: White)

Part Number	CL No.	Number of contacts	Lock type
DF22B-4DS-7.92C	680-1142-8	4	Standard lock
DF22C-4DS-7.92C	680-1082-8	4	Enhanced ergonomic lock

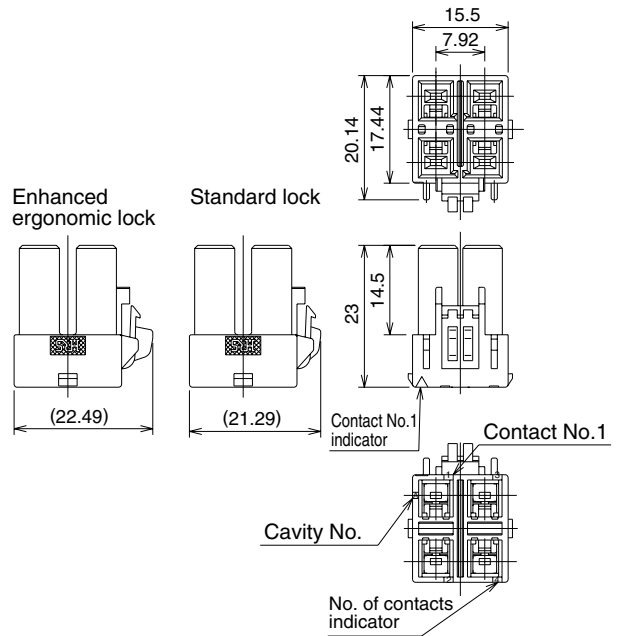
R Type (Guide Key: Right Side, Color: Black)

Part Number	CL No.	Number of contacts	Lock type
DF22BR-4DS-7.92C	680-1156-2	4	Standard lock
DF22CR-4DS-7.92C	680-1084-3	4	Enhanced ergonomic lock

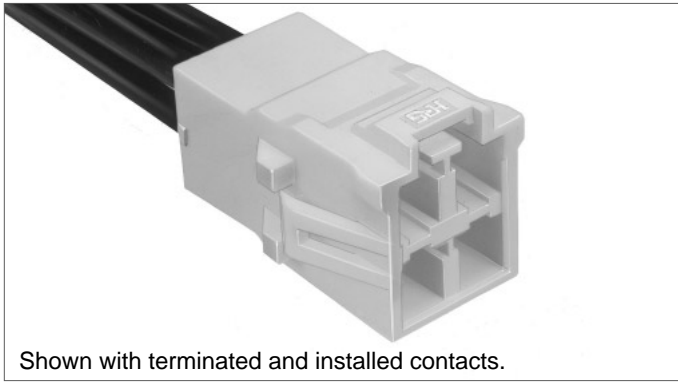
L Type (Guide Key: Left Side, Color: Red)

Part Number	CL No.	Number of contacts	Lock type
DF22BL-4DS-7.92C	680-1161-2	4	Standard lock
DF22CL-4DS-7.92C	680-1151-9	4	Enhanced ergonomic lock

Note: Bag packaging (100 pieces/bag). Order by number of bags.



■ In-line Double-row Plug



Standard Type (Guide Key: Inside, Color: White)

Part Number	CL No.	Number of contacts	Connector type
DF22-4DEP-7.92C	680-1051-4	4	With snap-in tabs
DF22A-4DEP-7.92C	680-1056-8	4	Without snap-in tabs

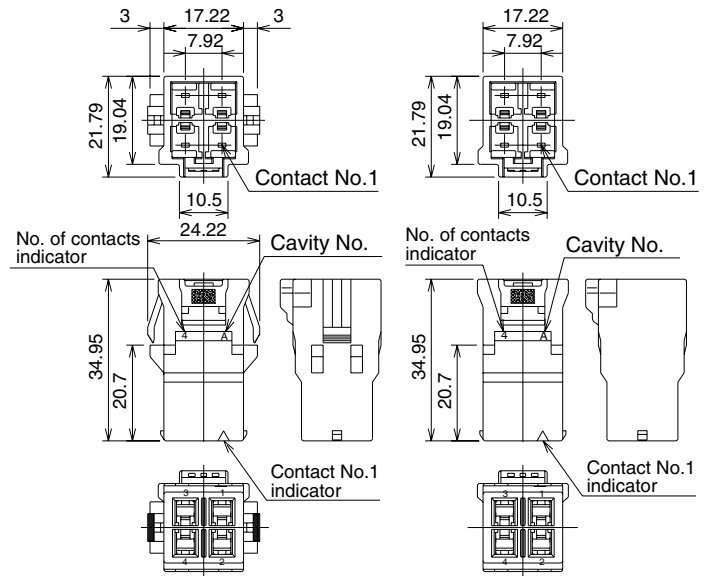
R Type (Guide Key: Right Side, Color: Black)

Part Number	CL No.	Number of contacts	Connector type
DF22R-4DEP-7.92C	680-1170-3	4	With snap-in tabs
DF22AR-4DEP-7.92C	680-1184-8	4	Without snap-in tabs

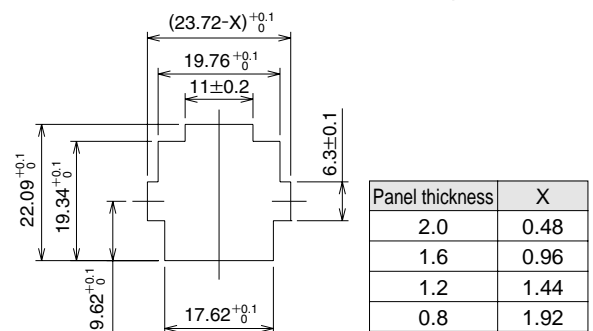
L Type (Guide Key: Left Side, Color: Red)

Part Number	CL No.	Number of contacts	Connector type
DF22L-4DEP-7.92C	680-1175-7	4	With snap-in tabs
DF22AL-4DEP-7.92C	680-1189-1	4	Without snap-in tabs

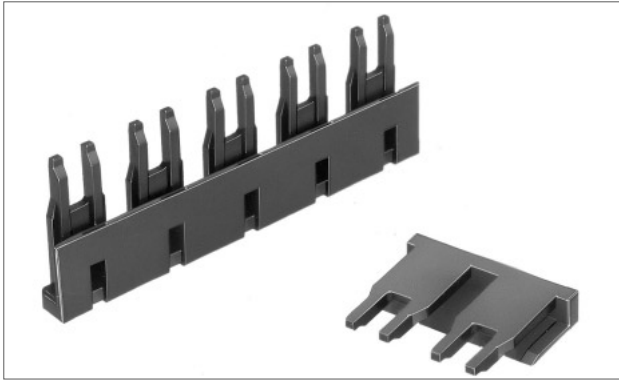
Note: Bag packaging (100 pieces/bag). Order by number of bags.



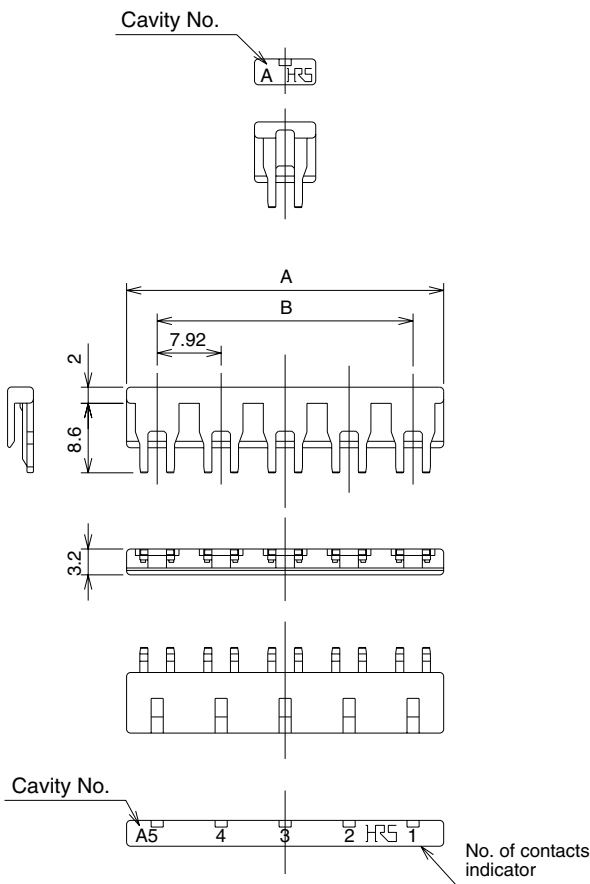
◆ Panel Cutout (Panel mount type)



■ Retainer



For Standard height, standard lock (Type I)

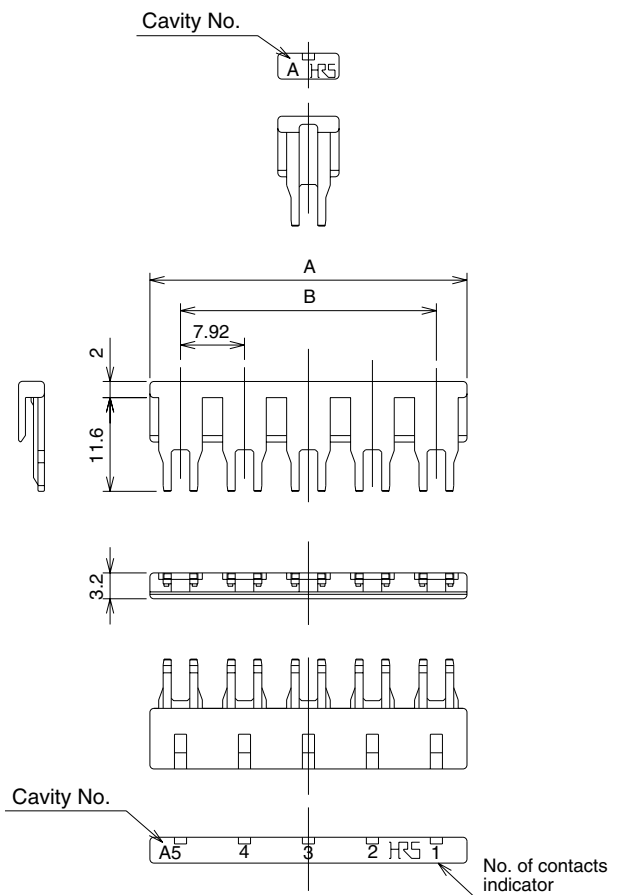


Part Number	CL No.	Number of contacts	A	B
DF22-1RS/P-7.92	Reserved for product expansion	1	7.04	—
DF22-2RS/P-7.92		2	15.50	7.92
DF22-3RS/P-7.92		3	23.42	15.84
DF22-4RS/P-7.92		4	31.34	23.76
DF22-5RS/P-7.92		5	39.26	31.68
Applicable Socket	DF22-*S-7.92C For Standard height, standard lock (Type I) * indicates number of contacts.			

Note: Bag packaging (100 pieces/bag). Order by number of bags.

For Long type, standard lock (Type III)

Long type, enhanced ergonomic lock (Type IV)

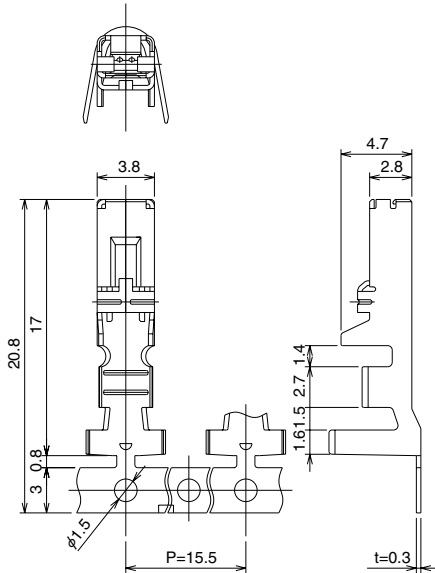


Part Number	CL No.	Number of contacts	A	B
DF22B/C-1RS/P-7.92	Reserved for product expansion	1	7.04	—
DF22B/C-2RS/P-7.92	680-1200-2	2	15.50	7.92
DF22B/C-3RS/P-7.92	680-1201-5	3	23.42	15.84
DF22B/C-4RS/P-7.92	680-1202-8	4	31.34	23.76
DF22B/C-5RS/P-7.92	680-1203-0	5	39.26	31.68
Applicable Socket	DF22B-*S-7.92C For Long type, standard lock (Type III) DF22C-*S-7.92C Long type, enhanced ergonomic lock (Type IV) DF22-*EP-7.92C DF22A-*EP-7.92C * indicates number of contacts.			

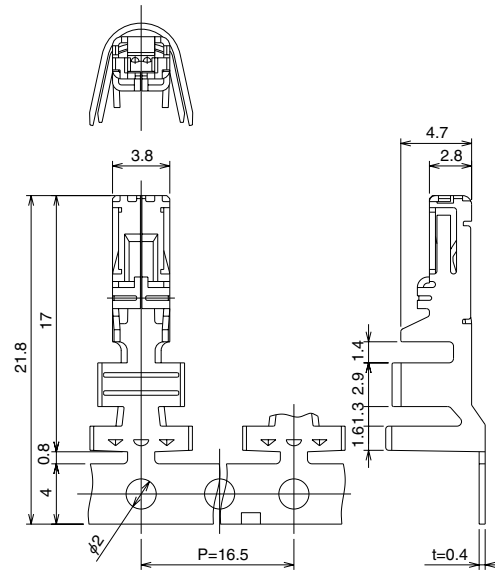
Note: Bag packaging (100 pieces/bag). Order by number of bags.

■Crimp Contact for socket

For AWG# 14 to 16



For AWG# 10 to 12



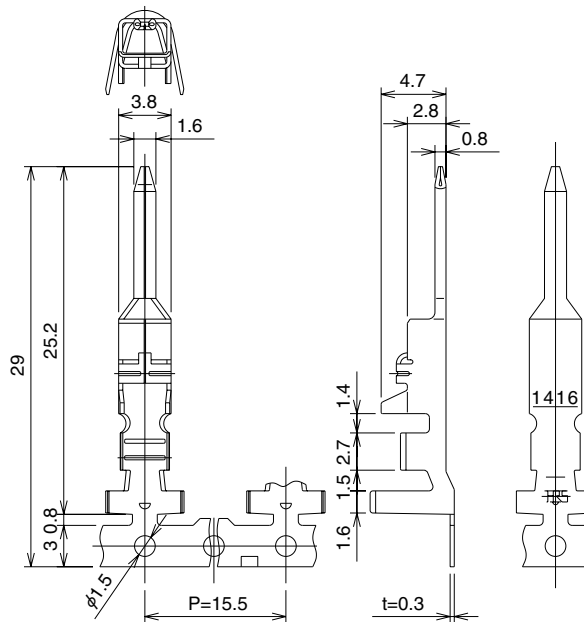
Part Number	CL No.	Applicable cable				Packaging	Quantity
		UL style	Jacket diameter	Wire size	Stranded wire conductor		
DF22-1416SCF	680-1000-3	1430	2.4 to 3.0	AWG#16	26/0.254	Reel	2,500
DF22-1416SC	680-1001-6					Bag	100
DF22A-1416SCF	680-1002-9	1015	3.0 to 3.8	AWG#14	41/0.26	Reel	2,000
DF22A-1416SC	680-1003-1					Bag	100
DF22A-1012SCF	680-1089-7		3.6 to 4.9	AWG#12	65/0.26	Reel	2,000
DF22A-1012SC	680-1090-6					Bag	100

Note 1: Applicable wire with tin plated solid soft conductor.

Note 2: When using other than the recommended wire, contact your nearest Hirose representative.

Note 3: Strip length: 3.5 to 4.5mm

■Crimp Contact for In-line Plug



Part Number	CL No.	Applicable cable				Packaging	Quantity
		UL style	Jacket diameter	Wire size	Stranded wire conductor		
DF22-1416PCF	680-1078-0	1430	2.4 to 3.0	AWG#16	26/0.254	Reel	2,500
DF22-1416PC	680-1080-2					Bag	100
DF22A-1416PCF	680-1079-3	1015	3.0 to 3.8	AWG#14	41/0.26	Reel	2,000
DF22A-1416PC	680-1081-5					Bag	100

Note 1: Applicable wire with tin plated solid soft conductor.

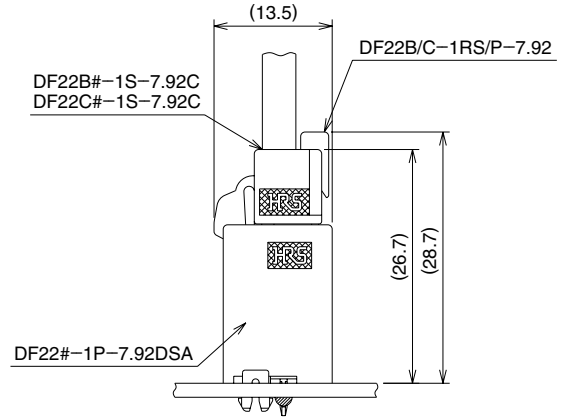
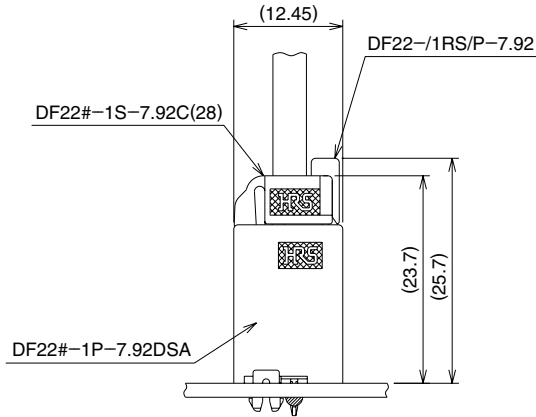
Note 2: When using other than the recommended wire, contact your nearest Hirose representative.

Note 3: Strip length: 3.5 to 4.5mm

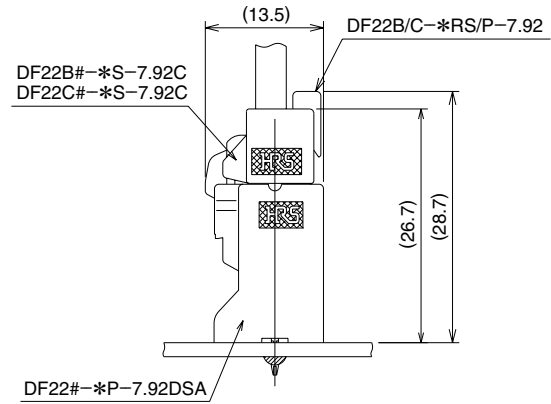
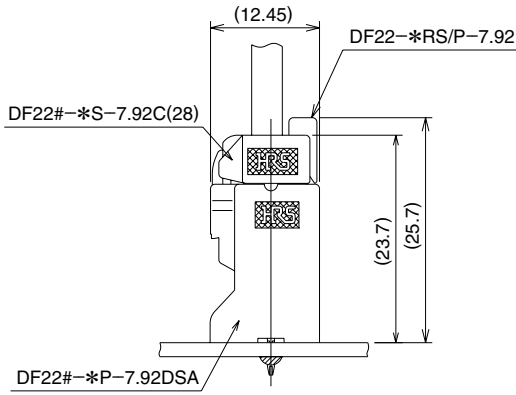
◆ Mating Dimensions

● Socket to Straight Header Connection

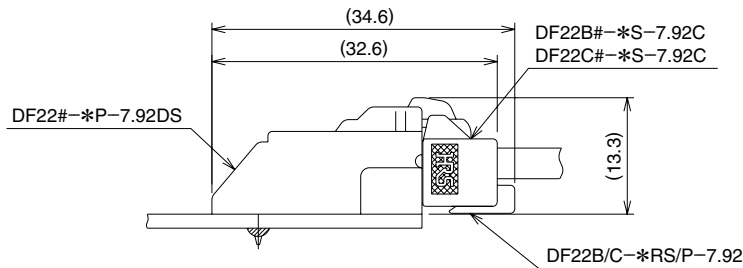
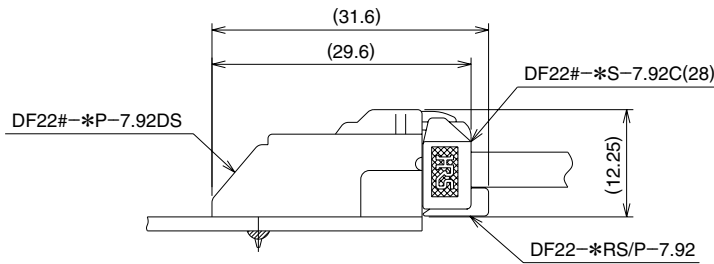
1 Pos.



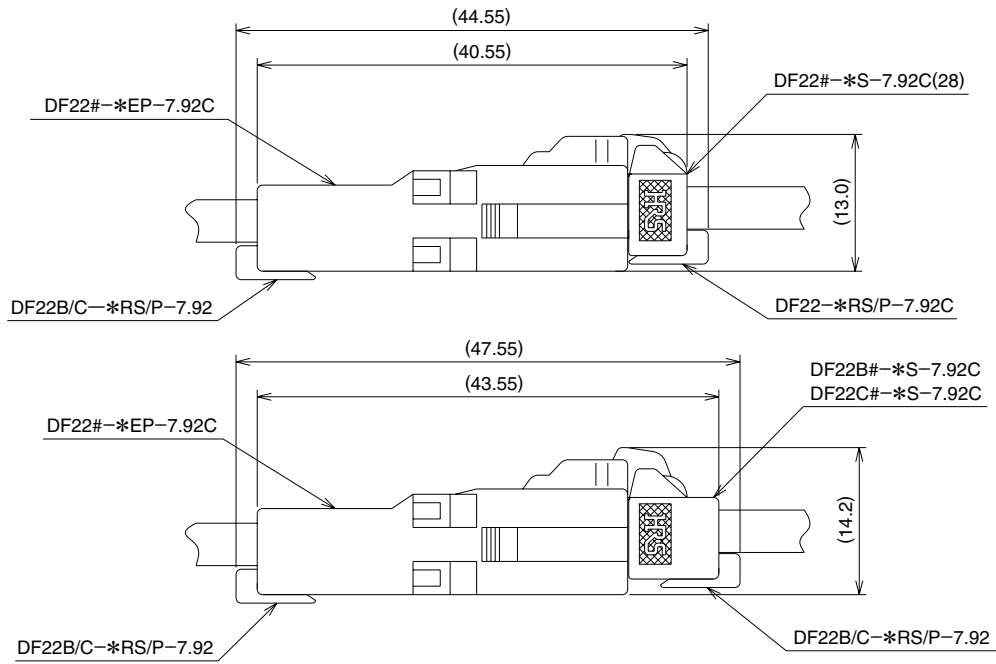
2 to 5 Pos.



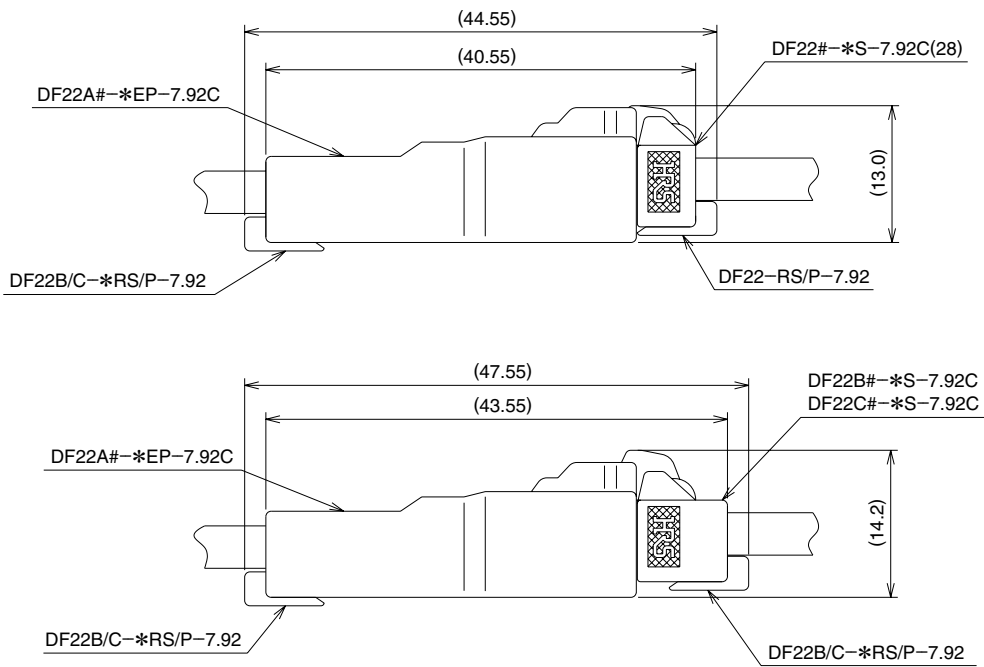
● Socket to Right angle Header Connection



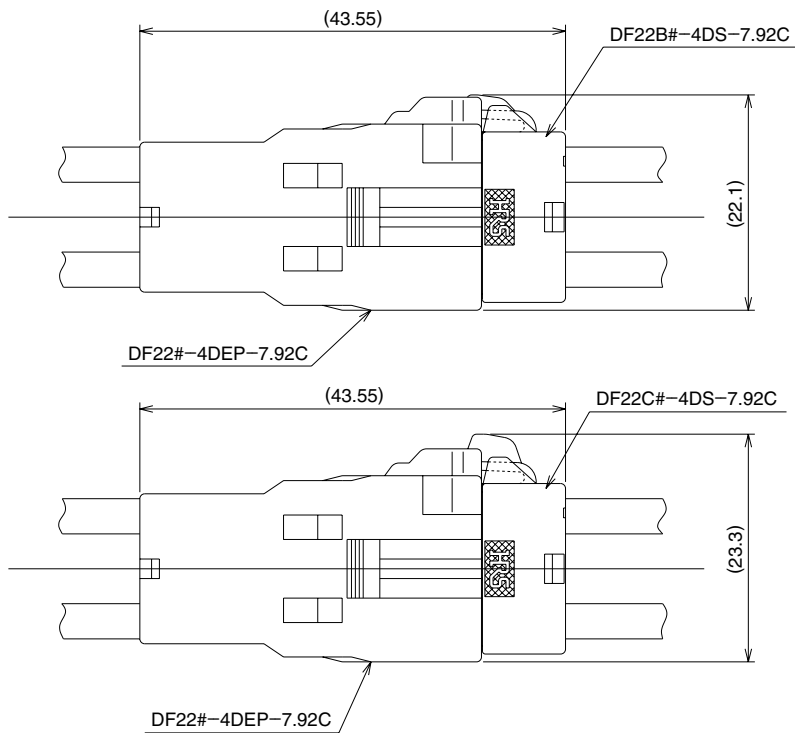
●Socket to In-line Plug (Panel mount type) Connection



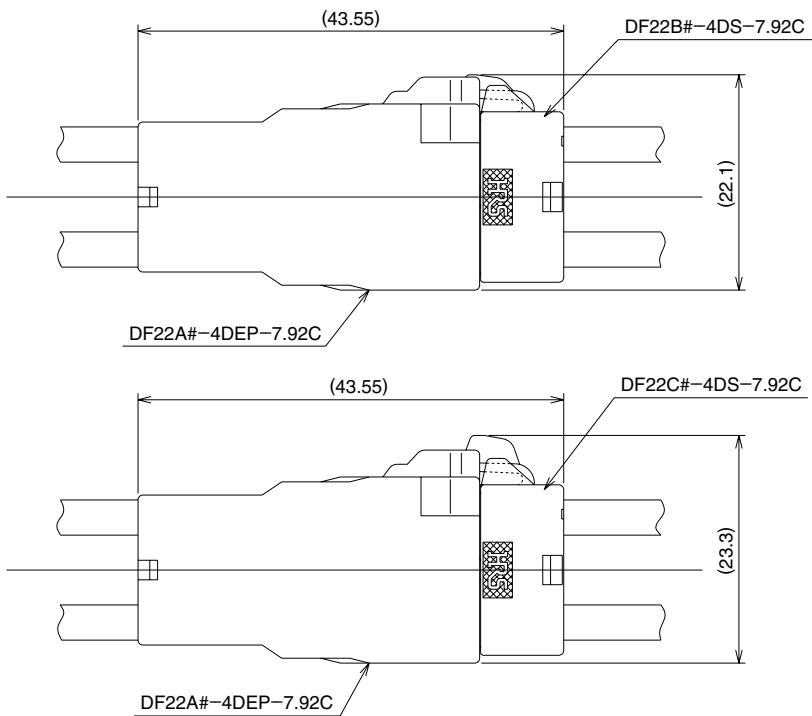
●Socket to In-line Plug Connection



● In-line Double-row socket to In-line Double-row Plug (Panel mount type) Connection



● In-line Double-row socket to In-line Double-row Plug Connection



◆ Tools

Type	Item	Part Number	CL No.	Applicable Contacts
Automatic	Press unit	CM-105	901-0005-4	DF22/DF22A-1416SCF/PCF
	Applicators are used in automatic crimping machines manufactured by Hirose Electric	AP105-DF22-1416	901-4576-7	DF22-1416SCF/PCF
		AP105-DF22A-1416	901-4578-2	DF22A-1416SCF/PCF
	Applicators are used in automatic crimping machines manufactured by other companies	AP109A-DF22-1416	901-4579-5	DF22-1416SCF/PCF
		AP109A-DF22A-1416	901-4580-4	DF22A-1416SCF/PCF
		AP109A-DF22A-1012	901-4582-0	DF22A-1012SCF
Manual	Crimp tools	HT104/DF22-1416	550-0285-0	DF22-1416SC/PC
		HT104/DF22A-1416	550-0286-2	DF22A-1416SC/PC
		HT103/DF22A-1012	550-0288-8	DF22A-1012SC

Note 1: When crimping contact DF22A-1012SCF use a press with 3.5 ton min.

Note 2: AP109A type applicators cannot be used with the CM-105 press.

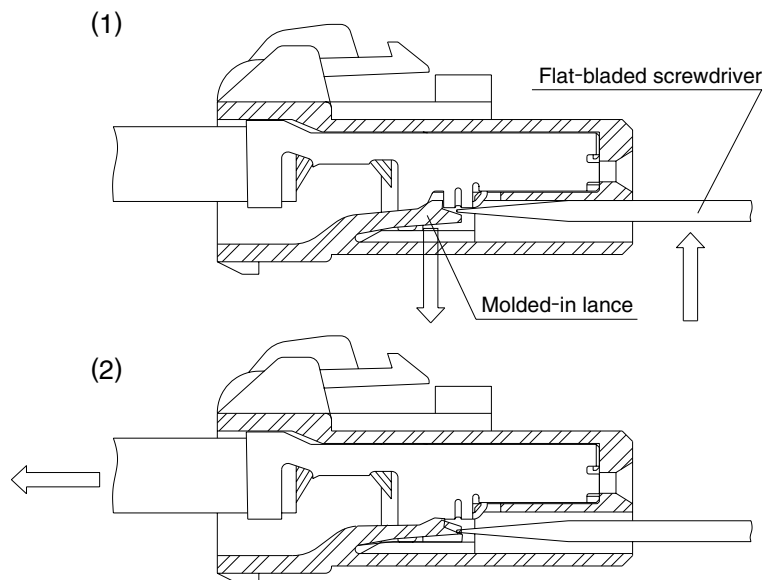
◆ Contact Extraction

■ Contact extraction tool: Flat-bladed screwdriver, 1.4 mm blade width

■ Intended crimp Contacts: DF22-1416SC(F), DF22A-1416SC(F), DF22A-1012SC(F), DF22-1416PC(F), and DF22A-1416PC(F)

■ Work Method

Housing Cross-Sectional Diagram



1. Refer to the drawing No. 1. Insert correct size screwdriver in the insulator against the molded-in lance. Deflect the lance as shown.

2. Assure that the lance is deflected to release the contact and pull-out wire with the terminated contact.

◆ Precautions

● Make sure that the lock is fully depressed before un-mating the connectors.

● Use correct size of the wires. Do NOT forcefully twist or deform wires, as this may affect the crimped contact connection.