

2.50mm (0.098") PITCH CONNECTOR

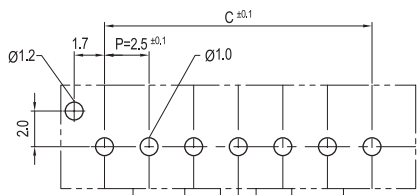
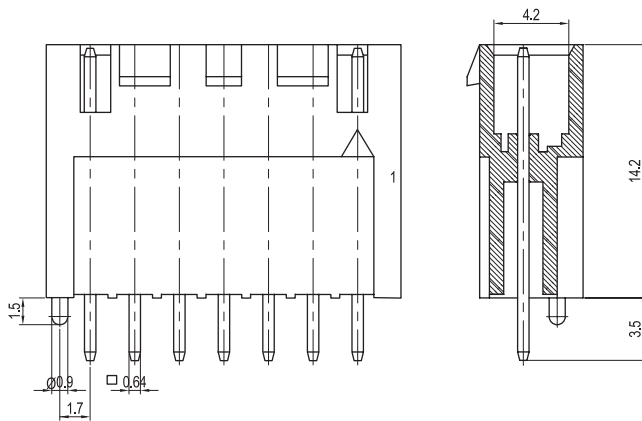
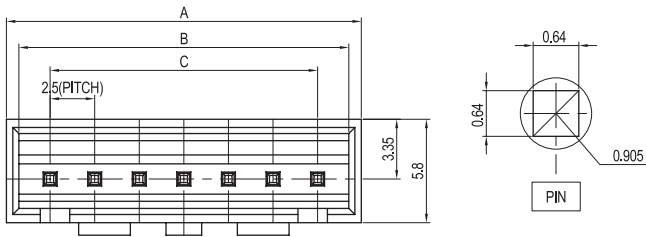
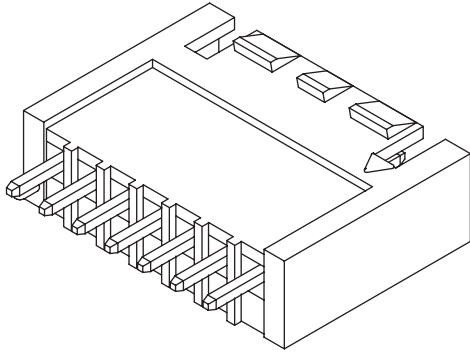


Wire-to-Board
Wafer

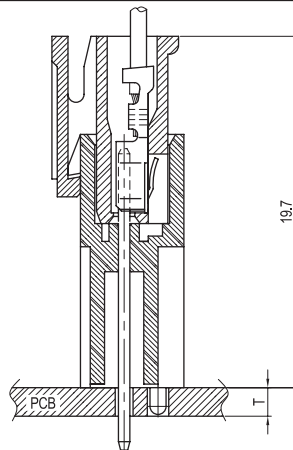
SMW250-NND Series

DIP

Straight



PCB LAYOUT



PCB ASSY

Material

I/NO	DESCRIPTION	TITLE	MATERIAL
1	WAFER	SMW250-NND	PA66, UL94 V Grade
2	PIN		Brass & Tin-Plated

Available Pin

PARTS NO.	DIM. A	DIM. B	DIM. C
SMW250-02D	7.45	5.80	2.5
SMW250-03D	9.95	8.30	5.0
SMW250-04D	12.45	10.80	7.5
SMW250-05D	14.95	13.30	10.0
SMW250-06D	17.45	15.80	12.5
SMW250-07D	19.95	18.30	15.0
SMW250-08D	22.45	20.80	17.5
SMW250-09D	24.95	23.30	20.0
SMW250-10D	27.45	25.80	22.5
SMW250-11D	29.95	28.30	25.0
SMW250-12D	32.45	30.80	27.5
SMW250-13D	34.95	33.30	30.0
SMW250-14D	37.45	35.80	32.5
SMW250-15D	39.95	38.30	35.0

Specification

ITEM	SPEC
Voltage Rating	AC/DC 250V
Current Rating	AC/DC 3A
Operating Temperature	-25°C~+85°C
Contact Resistance	30mΩ MAX
Withstanding Voltage	AC1000V/1min
Insulation Resistance	1000MΩ MIN
Applicable Wire	-
Applicable P.C.B	1.2~1.6mm
Applicable FPC/FFC	-
Solder Height	-
Crimp Tensile Strength	-
UL FILE NO	E108706